

**Model 72902, 72902-0, 72902-2, 72903
Micro SMD Grabber Test Clips, Holding Rod and Kit**

72902, Micro SMD Grabber Test Clips Kit

Features

- Kit includes: 12 grabbers (2 of each color) in black (model 72902-0), red (model 72902-2), yellow, green, blue and white.
- 6 black holding rods to reinforce connection positions during side-by-side measurements, model 72903.
- 12 black micro leads with 0.8mm female / 0.8mm male connectors.
- **Grabbers are designed for easy attachment to SMD chips with pitches down to 0.008" (0.20mm).**
- Thin yet durable design permits attachment with close spacing in tight areas.
- Insulated tip minimizes shorting on adjacent pins.
- Gold plating for low resistance connections.



**Model 72902
Micro SMD Grabber Test Clips Kit**

Ratings

For CE Compliance and for personal safety, do not hold in hand when voltages exceed 33 Vrms/70 Vdc.
Maximum voltage for hands free use: 70 Vrms max.

Ordering Information listed on page 2 of this datasheet.

72903, Holding Rod for Micro SMD Grabber Test Clip

Features

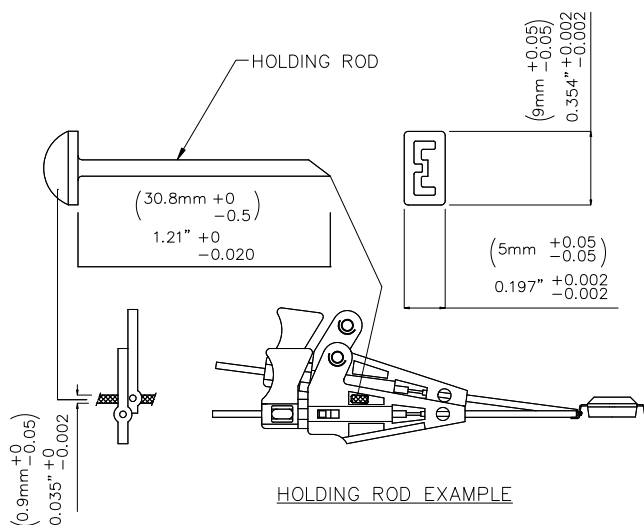
- Holding rods to reinforce SMD Grabber (model 72902) connection positions during side-by-side measurements.

Materials

- Black Polyamide



**Model 72903
Holding Rod**



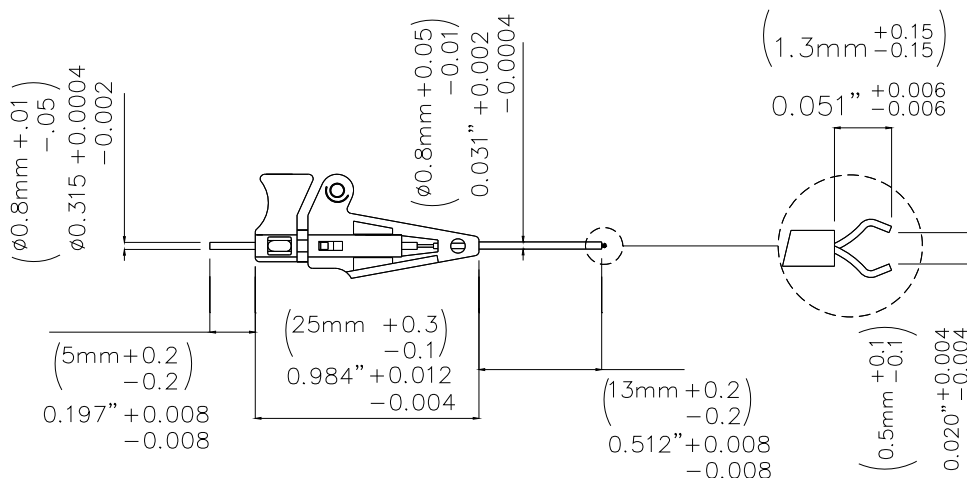
Ordering Information listed on page 2 of this datasheet.

USA: Sales: 800-490-2361
Technical Support: technicalsupport@pomonatest.com
Fax: 425-446-5844
Europe: 31-(0) 40 2675 150 **International:** 425-446-5500
Where to Buy: www.pomonaelectronics.com

All dimensions are in inches. Tolerances (except noted): .xx = ±.02" (.51 mm), .xxx = ±.005" (.127 mm). All specifications are to the latest revisions. Specifications are subject to change without notice. Registered trademarks are the property of their respective companies.

Model 72902, 72902-0, 72902-2, 72903
Micro SMD Grabber Test Clips, Holding Rod and Kit

72902-0 & 72902-2, Micro SMD Grabber Test Clips



Features

- Designed for easy attachment to SMD chips with pitches down to 0.008" (0.20mm).
- Thin yet durable design permits attachment with close spacing in tight areas.
- Insulated tip minimizes shorting on adjacent pins.
- Gold plating for low resistance connections.
- Easy attachment to standard test leads.
- Holding rods available to reinforce connection positions during side-by-side measurements (order Pomona model number 72903).

Ratings

For CE Compliance and for personal safety, do not hold in hand when voltages exceed 33 Vrms/70 Vdc. Maximum voltage for hands free use: 70 Vrms max.

Current: 1 maxi 500 mA
Voltage: Less than 33 Vac/70 Vdc
Temperature: -20°C to +80°C (-4°F to +176°F)
Resistance: Less than 200 mΩ

Ordering Information

Model: **72902** (Kit pictured on page 1)
Model: **72902-*** (Grabber pictured on the right)
(*=Color, Available Colors: -0 (Black), -2 (Red))
Model: **72903** (Holding Rods on page 1, sold 10 per package)



Model 72902-0 & 72902-2
Micro SMD Grabber Test Clips

USA: Sales: 800-490-2361
Technical Support: technicalsupport@pomonatest.com
Fax: 425-446-5844
Europe: 31-(0) 40 2675 150 International: 425-446-5500
Where to Buy: www.pomonaelectronics.com

All dimensions are in inches. Tolerances (except noted): .xx = ±.02" (.51 mm), .xxx = ±.005" (.127 mm). All specifications are to the latest revisions. Specifications are subject to change without notice. Registered trademarks are the property of their respective companies.